

❖ **TM-1327 GE / TMC-1327 GE** Progressive Scan CCD



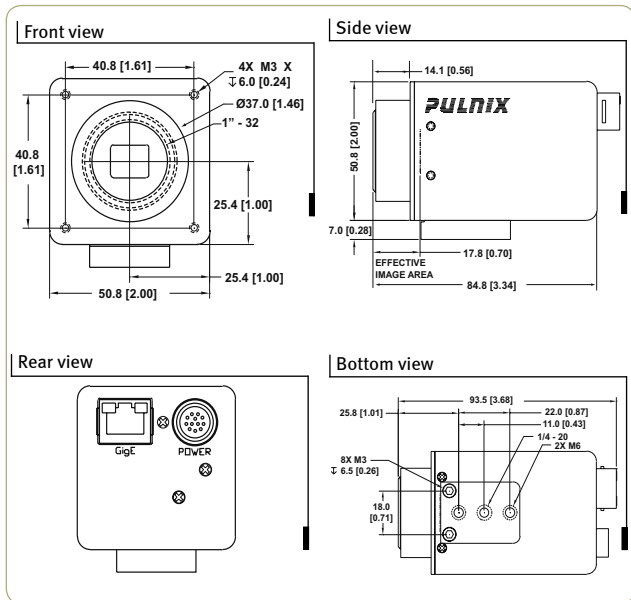
- *2/3" progressive scan IT CCD (ICX285AL/ICX285AQ)*
- *1392(H) x 1040(V) @ 30 fps*
- *6.45 μ m square pixels*
- *Compact 51 x 51 x 85 mm housing*
- *High speed point-to-point connection, up to 1Gbps*
- *Gigabit Ethernet output (8-bit/10-bit selectable)*
- *Maximum dynamic range control through built-in look-up table (8-bit only)*
- *User-definable variable partial scan*
- *Full-frame shutter to 1/21,000 sec.*
- *Asynchronous reset, no-delay shutter*
- *High gain CCD output and near IR sensitivity*
- *Extensive software developer's kit (SDK)*
- *Monochrome or color*

GigETM
VISION

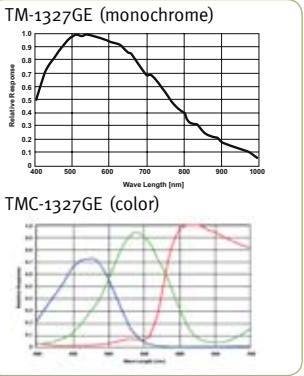
Specifications for TM-1327GE/TMC-1327GE

Specifications	TM-1327GE/TMC-1327GE
Sensor	2/3" progressive scan interline transfer CCD
Active area	8.98mm x 6.71mm
Active pixels	1392 (H) x 1040 (V)
Cell size	6.45 μm x 6.45 μm
Readout mode	1392 (H) x 1040 (V) @ 30 Hz User-definable partial scan
Synchronization	Internal/External auto switch HD/VD, 4.0 Vp-p impedance 4.7K Ω VD= 30 Hz ± 5%, non-interlace HD=31.59 kHz ± 5%
Pixel clock	55.00 MHz
S/N ratio	>52 dB
Sensitivity	Mono 0.4 lux f=1.4 (no shutter) @ 30 fps, Color 3.2 lux f=1.4 (no shutter) @ 30 fps,
Video output	Gigabit Ethernet (8-bit/10-bit)
Color (RMC/TMC-1327 only)	Raw Bayer output for host-based interpolation
Gamma	Programmable LUT (Gamma 1.0 std)
Shutter speed (programmable)	1/30 to 1/21,000 in increments of 31.65 μs
Lens mount	C-mount (use 2/3" format lenses)
Power	12V DC ± 10%, 430 mA (typical at 25° C)
Operating temperature	-10° C to 50° C
Vibration	7 Grms (10 Hz to 2000 Hz) Random
Shock	70 G, 11 ms, half-sine
Dimensions (H x W x L)	51 mm x 51 mm x 85 mm
Weight	212 g (without tripod)

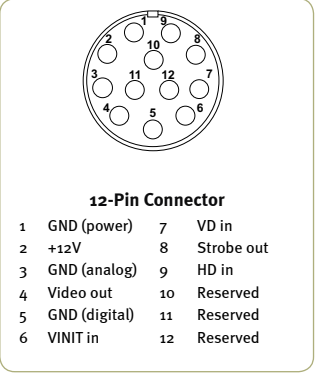
Dimensions



Spectral Response



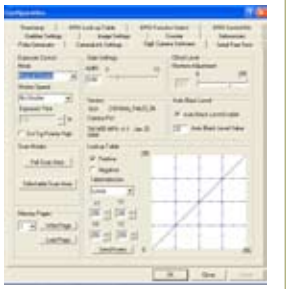
Connector Pin-out



GUI Interface

A user-friendly graphical user interface (GUI), provided as part of the camera's extensive software development kit (SDK), allows users to control various camera functions, including:

- Shutter control for manual async. and pulse width control
- Gain control
- A/D reference voltage control
- Save settings
- Load settings
- Report settings
- LUT setting and graphic display
- Scanning mode selection and Option selections



The SDK also provides functions for controlling the grabbing of images, and configuring local I/Os, by means of an integrated API and a set of powerful C++ classes. Changes in the camera's acquisition modes automatically update the API for easy image acquisition. CPU usage is only a few percent, thanks to the TCP/IP offload engine.

Software available for download at www.jai.com

Ordering Information

Camera	
Lead Processing	TM-1327GE (mono), TMC-1327GE (color)
RoHS Compliant	RM-1327GE (mono), RMC-1327GE (color)
Optional Functions	
Internal IR Cut Filter Added	OP3-1
Optical Filter Removal	OP3-2 (color only)
Configure to 15 fps	OP7-5
Optional Accessories (must be ordered separately)	
Power Cable	12P-02S
Power Supply	PD-12UUP series (includes power connector)

Europe, Middle East & Africa
 Phone +45 4457 8888
 Fax +45 4491 8880

Asia Pacific
 Phone +81 45 440 0154
 Fax +81 45 440 0166

Americas
 Phone (Toll-Free) 1 800 445 5444
 Phone +1 408 383 0300

Visit our web site on www.jai.com



Company and product names mentioned in this datasheet are trademarks or registered trademarks of their respective owners. JAI-A-S cannot be held responsible for any technical or typographical errors and reserves the right to make changes to products and documentation without prior notification. 10429 Rev B-05-14-2007